

BEDIENUNGSANLEITUNG
INSTRUCTION MANUAL
MANUAL DE INSTRUCCIONES
MANUEL D'INSTRUCTIONS
MANUALE DI ISTRUZIONI
使用説明書

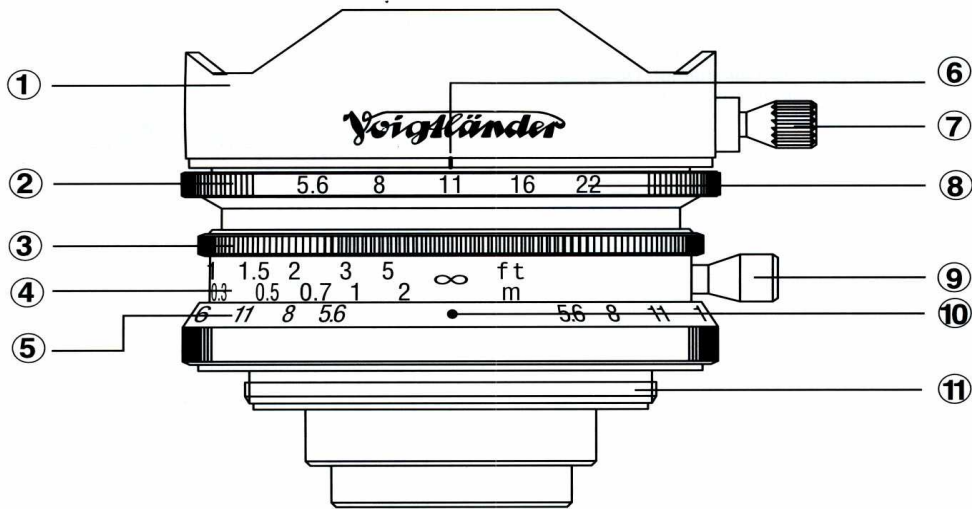
Voigtländer

seit 1756

ULTRAWIDE-HELIAR
12mm F5.6
Aspherical

Voigtländer
Germany

ULTRAWIDE-HELIAR 12mm F5.6 Aspherical



INSTRUCTION MANUAL

● Nomenclature of each part

- | | |
|-------------------------|------------------------|
| 1. Lens Hood | 7. Hood Fixing Screw |
| 2. Aperture Ring | 8. Aperture Scale |
| 3. Focusing Ring | 9. Focusing Ring Lever |
| 4. Focusing Index | 10. Distance Scale |
| 5. Depth-Of-Field Scale | 11. Attachment Screw |
| 6. Aperture Index | |

● Focus Setting

As the focusing is effected by visual judgment, taking into consideration the advantages of the super wide-angle lens with the wide focus area (and huge depth of field), no rangefinder synchronization mechanism is required.

If the lens is used on a camera with rangefinder synchronization mechanism, the rangefinder does not work. Consequentially, please effect the focusing by visual judgment, resp. according to Depth-Of-Field Scale.

● Click-stops

The lense 12mm/F5,6 disposes of focusing click-stops. At click-stop positions of infinity or other distances the depth of field is as follows:

	F5.6	F8.0	F11	F16	F22
1.0m	0.50~∞	0.40~∞	0.35~∞	0.28~∞	0.23~∞
0.5m	0.35~1	0.30~2	0.27~∞	0.23~∞	0.20~∞

● Lens Hood:

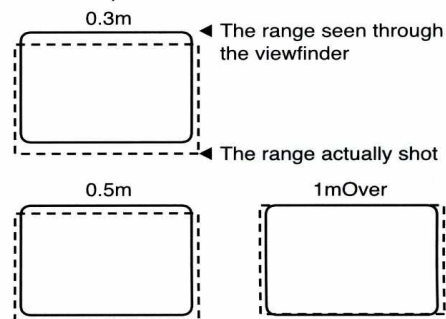
By unfixing the Hood Fixing Screw the Lens Hood can easily be rotated. After fixing the lens onto the camera it has to be set in a certain way:

The writing, in relation to the camera, has to be above. After finishing the setting of the Hood Fixing Screw, please fix the Lens Hood. When using the optional filter adapter, please unfasten the Hood Fixing Screw and draw off the Lens Hood!

(Please consider - when taking pictures in use of the unfixed Hood - that the lens could be damaged!)

● Viewfinder:

When looking through the viewfinder in a straight line, the field of view corresponds to the thereafter picture. When looking transversally through the viewfinder, or holding the camera slantwise, the subsequent image is distorted. In this case the focussed area would be outside of the picture.



● Setting the filter adapter (optional):

Common filters can be used (ø77 filter).

After taking off the Hood, please fix the filter adapter in case of the Hood. The filter contains a display which is very auxiliary for controlling the polarization filter effect (POL).

In order to find the correct position by means of the viewfinder, the filter adapter has to be turned and thus set in position. When the right alignment is found, please fix the filter by pulling the screw!

● Using the spirit level (optional):

When using the optional double-shoe adapter, set the spirit level according to the description in the image.

Checking the horizontal can be executed by a simple alignment and by a simultaneous observation of the motive through the viewfinder. In addition, use our Bessa-L double-shoe adapter TYPE C! For the Bessa-R use the double-shoe adapter TYPE A.