

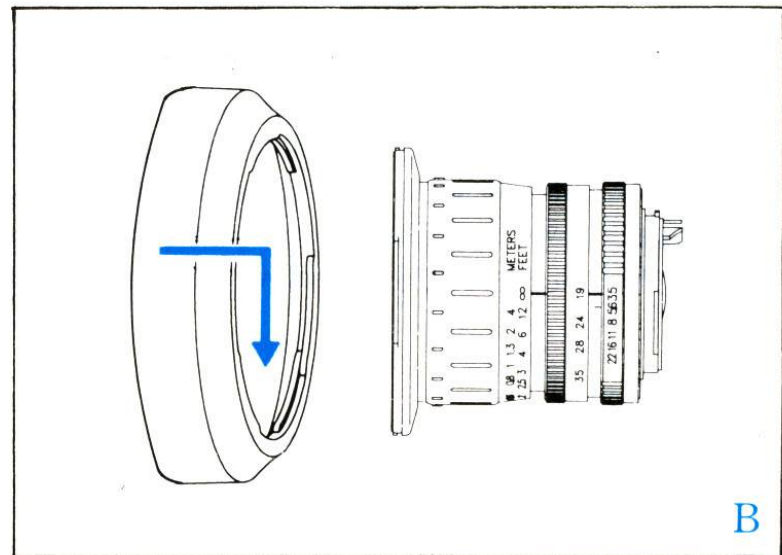
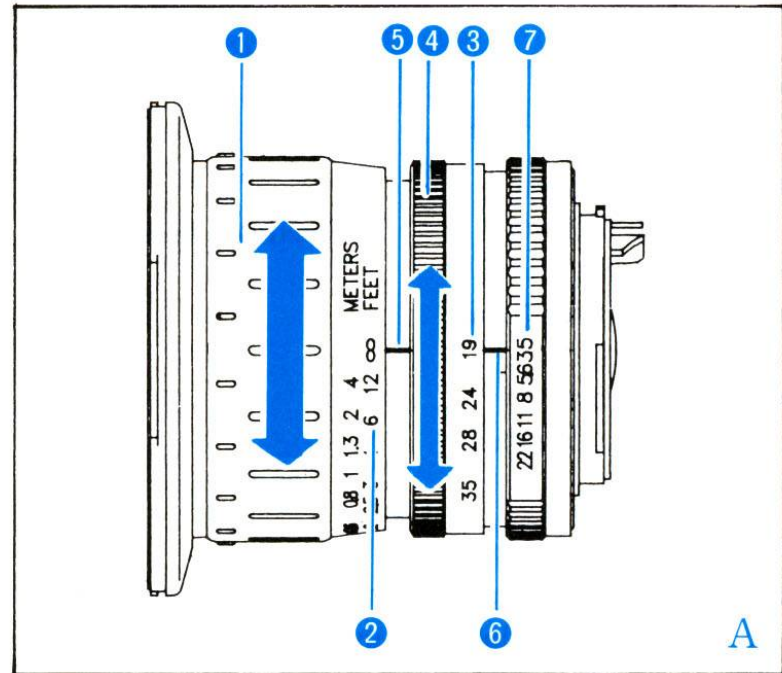
# COSINA LENS

19~35mm

F3.5~4.5 MC

**COSINA®**

INSTRUCTION BOOKLET  
GEBRAUCHSANWEISUNG  
MODE D'EMPLOI  
LIBRETTO D'ISTRUZIONI  
FOLLETO DE INSTRUCCION  
使用説明書



### ● Description of Parts

1. Focusing ring
2. Distance scale
3. Focal length scale
4. Zooming ring
5. Distance index
6. Aperture/focal length index
7. Aperture ring

### ● Focusing and zooming

Zooming and focusing rings are provided separately with this lens, operate the focusing ring to focus and the zooming ring to zoom respectively. (See Fig.A)

To focus sharply avoid zooming to the telephoto range after focusing in the wide-angle range. As in the wide-angle range it is difficult to focus sharply because the subject's depth-of-field is deeper. Instead, it is recommended to first focus in the telephoto range, then move to wide-angle.

### ● Lens Hood

After aligning the edge of hood surface with the top edge of the lens, rotate them clockwise. (See Fig.B)

The hood protect your subject from reflection of light outside the composition.

For storage, place the hood upside down.

**Note:** Remove the lens hood when using the built-in flash unit.

Or the hood may shade the flash light.