

BEDIENUNGSANLEITUNG
INSTRUCTION MANUAL
MANUAL DE INSTRUCCIONES
MANUEL D'INSTRUCTIONS
使用説明書

Voigtländer

seit 1756

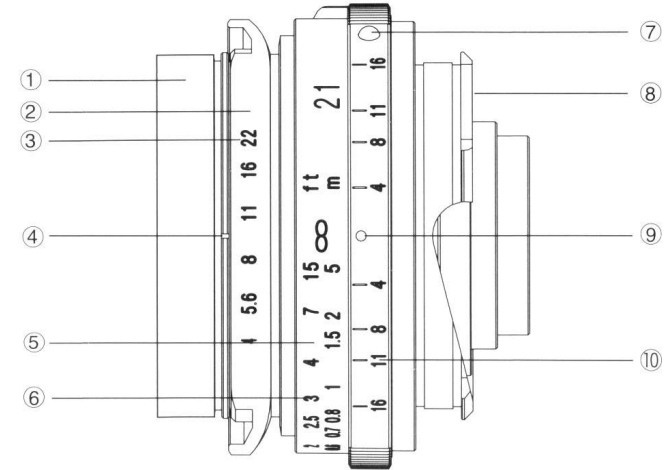
COLOR SKOPAR

21mm F4 P

25mm F4 P

Voigtländer
Germany

COLOR-SKOPAR 21mm F4 P / 25mm F4 P



INSTRUCTION MANUAL

● SPECIFICATIONS

COLOR SKOPAR 21mm F4P

Focal Length:	21mm
Aperture Ratio:	1:4
Smallest Aperture:	22
Lens Construction:	6 groups 8 elements
Picture Angle:	91°
Aperture Blades:	10
Nearest Distance:	0.5m
Diameter:	φ 55mm
Weight:	136g
Filter Size:	φ 39mm
Mount:	VM mount

COLOR SKOPAR 25mm F4P

Focal Length:	25mm
Aperture Ratio:	1:4
Smallest Aperture:	22
Lens Construction:	5 groups 7 elements
Picture Angle:	82°
Aperture Blades:	10
Nearest Distance:	0.5m
Diameter:	φ 55mm
Weight:	144g
Filter Size:	φ 39mm
Mount:	VM mount

● NOMENCLATURE OF EACH PART

1. Hood
2. Aperture Ring
3. Aperture Scale
4. Aperture Index
5. Distance ring
6. Distance scale
7. Mount Index
8. VM mount
9. Distance Index
10. Depth of Field Scale

● RANGEFINDER COUPLING

Focusing range of this lens is $\infty \sim 0.7\text{m}$. However, rangefinder coupling range will be different depends on camera body.

Viewfinder 21mm and 25mm are available as optional accessories.

Please ask your dealer for details.