

BEDIENUNGSANLEITUNG  
INSTRUCTION MANUAL  
MANUAL DE INSTRUCCIONES  
MANUEL D'INSTRUCTIONS  
MANUALE DI ISTRUZIONI  
使用説明書

**Voigtländer**

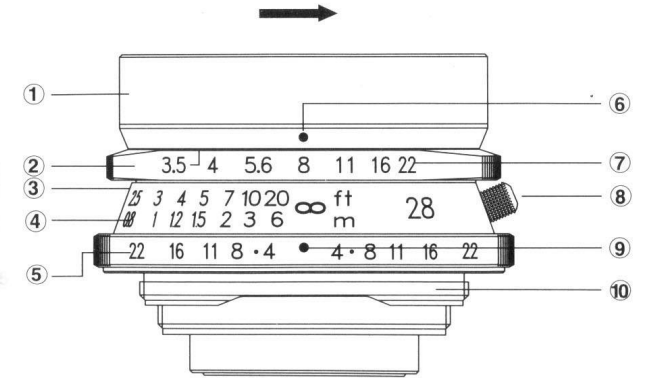
seit 1756

**COLOR-SKOPAR**  
**28mm F3.5**

---

**Voigtländer**  
Germany

**COLOR-SKOPAR 28mm F3.5**



# INSTRUCTION MANUAL

## ● Specifications

### Color-Skopar 28mm F3.5

Focal length	28mm
Aperture ratio	1 : 3.5
Smallest aperture	22
Lens construction	5 groups 7 elements
Picture angle	75°
Aperture blades	10
Nearest distance	0.7m
Diameter	φ 49.6mm
Length	25.8mm
Weight	163g
Filter size	φ 39mm
Mount	L-mount

## ● Nomenclature of each part

- |                        |                       |
|------------------------|-----------------------|
| ① Lens Hood            | ⑥ Aperture Index      |
| ② Aperture Ring        | ⑦ Aperture Scale      |
| ③ Focusing Ring        | ⑧ Focusing Ring Lever |
| ④ Focusing Index       | ⑨ Distance Scale      |
| ⑤ Depth-Of-Field Scale | ⑩ Mount screw         |

## ● Attaching Filter

- (1) Detach the lens hood ① from the lens by turning it in arrowed direction.
- (2) Screw in the filter (φ 39mm) onto the lens.
- (3) Screw in the hood ① onto the lens.

## ● Rangefinder coupling

The synchronizing range of this instrument is from 0.7m to ∞.

As synchronizing range may differ according to the type of camera, check the synchronizing range of the camera before shooting. Use the eye-measurement to focus if the object is out of the synchronizing range.