

BEDIENUNGSANLEITUNG
INSTRUCTION MANUAL
MANUAL DE INSTRUCCIONES
MANUEL D'INSTRUCTIONS
MANUALE DI ISTRUZIONI

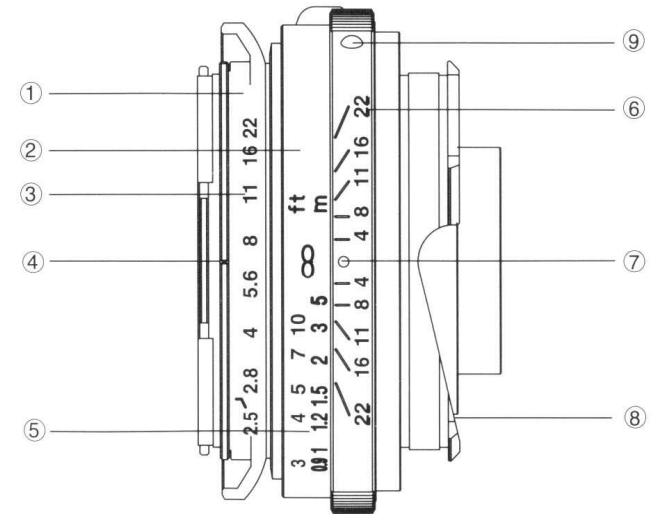
Voigtländer

seit 1756

**COLOR SKOPAR
35mm F2.5 P II**

Voigtländer
Germany

COLOR SKOPAR 35mm F2.5 P II



INSTRUCTION MANUAL

● SPECIFICATIONS

COLOR SKOPAR 35mm F2.5 P II

Focal Length:	35mm
Aperture Ratio:	1:2.5
Smallest Aperture:	22
Lens Construction:	5 groups 7 elements
Picture Angle:	63°
Aperture Blades:	10
Nearest Distance:	0.7m
Diameter:	φ 55mm
Weight:	134g
Filter Size:	φ 39mm
Mount:	VM Mount
Rangefinder Coupling:	∞~0.7m(Depend on the camera body)

● NOMENCLATURE OF EACH PART

1. Aperture Ring
2. Distance Ring
3. Aperture Scale
4. Aperture Index
5. Distance Scale
6. Depth of Field Scale
7. Distance Index
8. VM Mount
9. Mount Index

● RANGEFINDER COUPLING

Focusing range of this lens is ∞~0.7m. However, rangefinder coupling range will be different depends on the camera body.