

BEDIENUNGSANLEITUNG
INSTRUCTION MANUAL
MANUAL DE INSTRUCCIONES
MANUEL D'INSTRUCTIONS
MANUALE DI ISTRUZIONI
Gebruiksaanwijzing

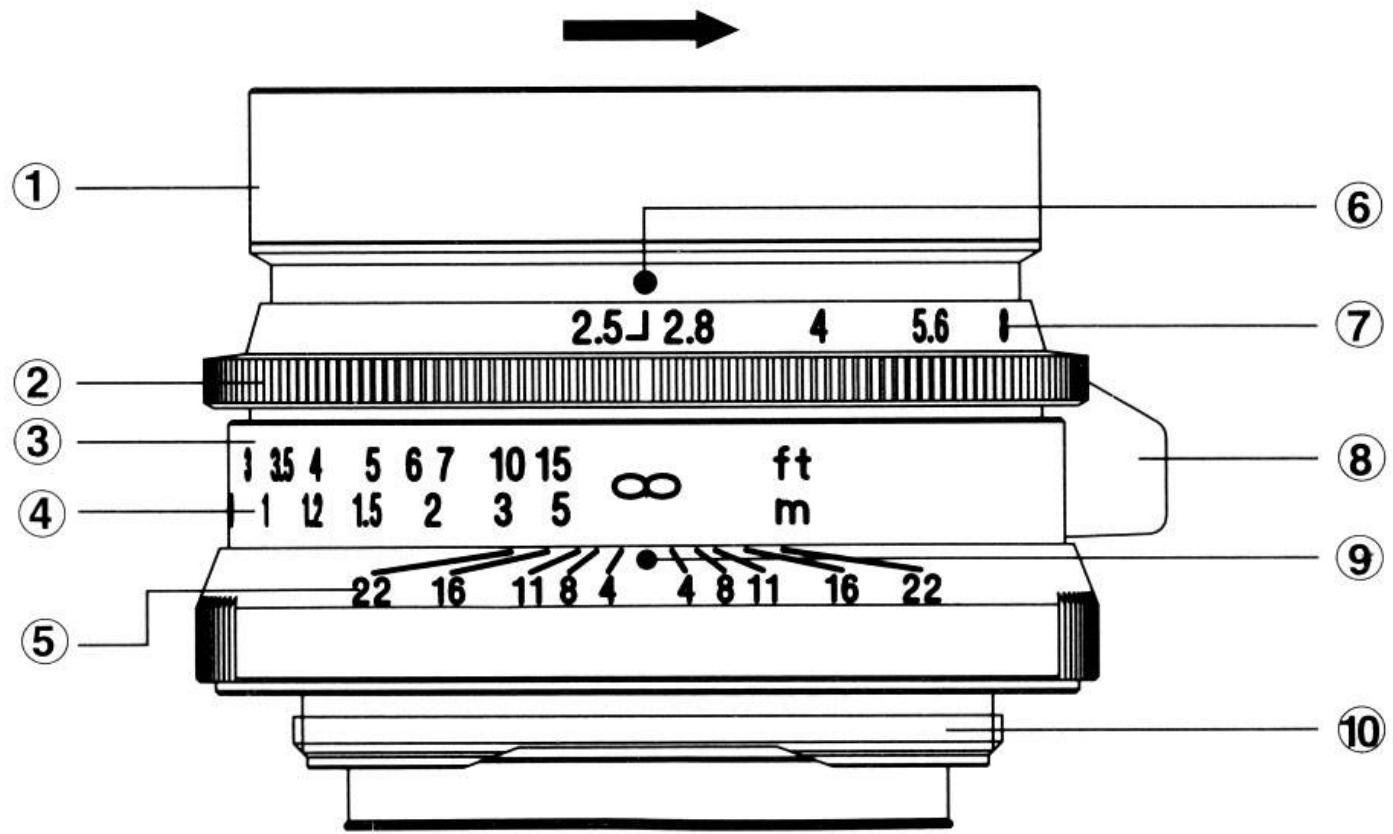
Voigtländer

seit 1756

**COLOR-SKOPAR
50mm F2.5**

Voigtländer
Germany

COLOR-SKOPAR 50mm F2.5



INSTRUCTION MANUAL

● Specifications

Color-Skopar 50mm F2.5

Focal length	50mm
Aperture ratio	1 : 2.5
Smallest aperture	22
Lens construction	6 groups 7 elements
Picture angle	46°
Aperture blades	10
Nearest distance	0.75m
Diameter	φ 49.6mm
Length	33.6mm
Weight	208g
Filter size	φ 39mm
Mount	L-mount

● Nomenclature of each part

- | | |
|------------------------|-----------------------|
| ① Lens Hood | ⑥ Aperture Index |
| ② Aperture Ring | ⑦ Aperture Scale |
| ③ Focusing Ring | ⑧ Focusing Ring Lever |
| ④ Focusing Index | ⑨ Distance Scale |
| ⑤ Depth-Of-Field Scale | ⑩ Mount screw |

● Attaching Filter

- (1) Detach the lens hood ① from the lens by turning it in arrowed direction.
- (2) Screw in the filter (φ 39mm) onto the lens.
- (3) Screw in the hood ① onto the lens.

● Rangefinder coupling

The synchronizing range of this instrument is from 0.75m to ∞.

As synchronizing range may differ according to the type of camera, check the synchronizing range of the camera before shooting. Use the eye-measurement to focus if the object is out of the synchronizing range.